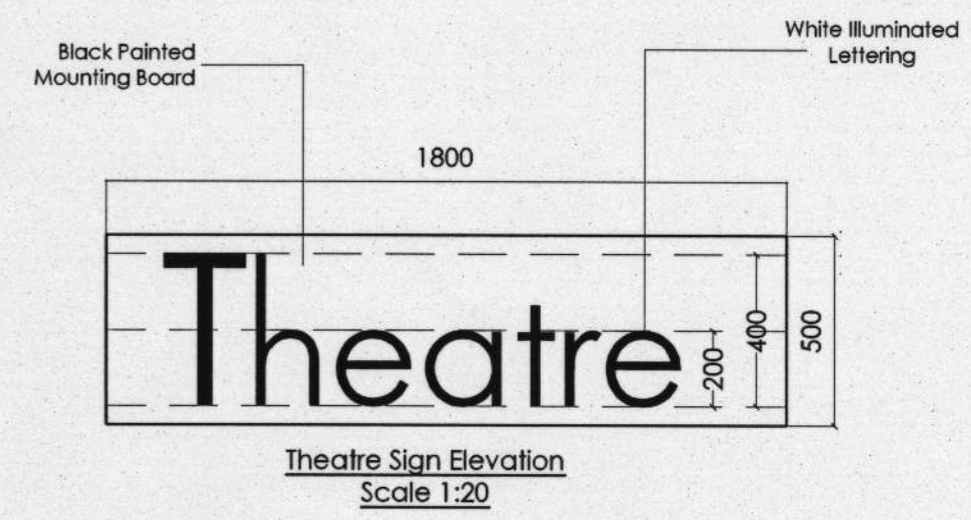
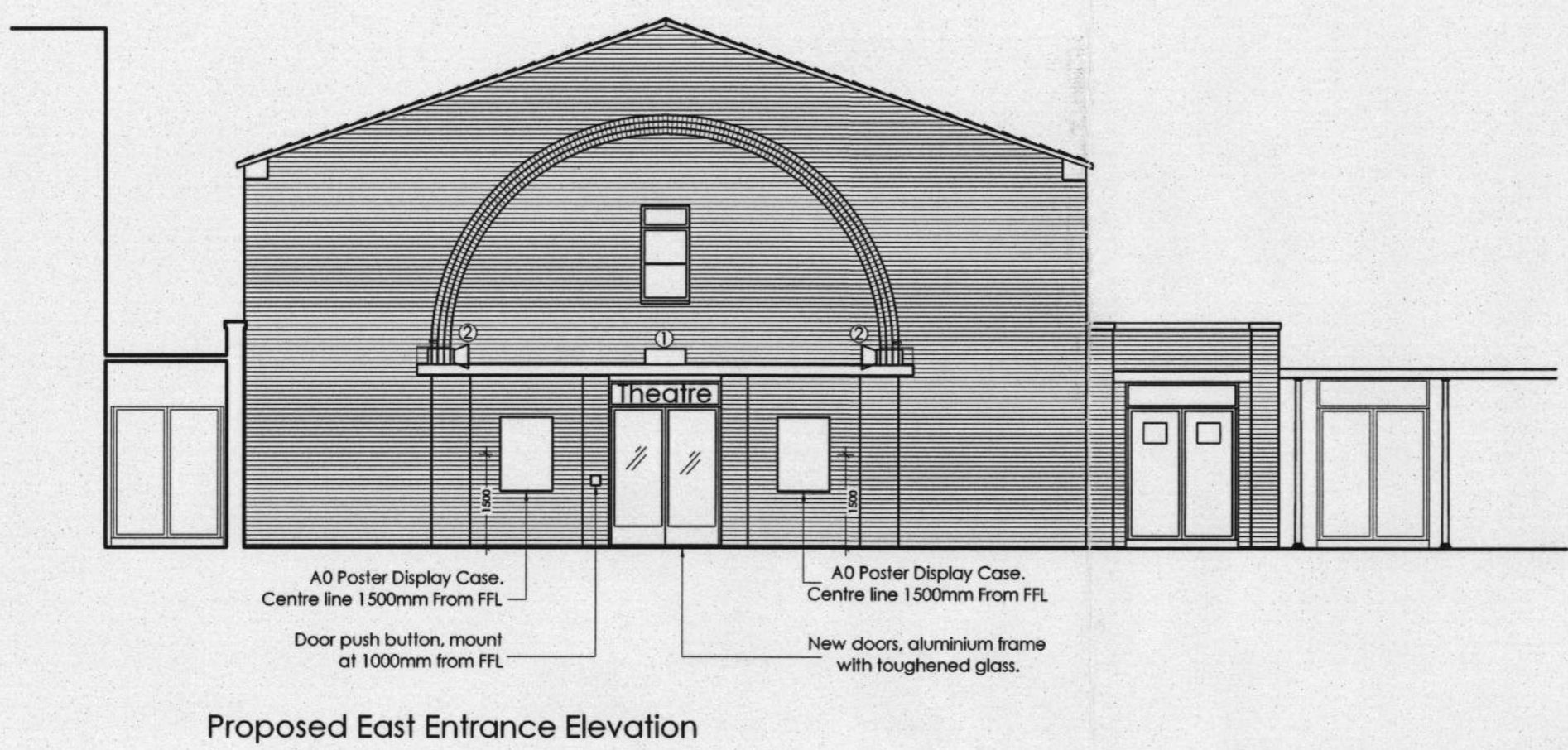


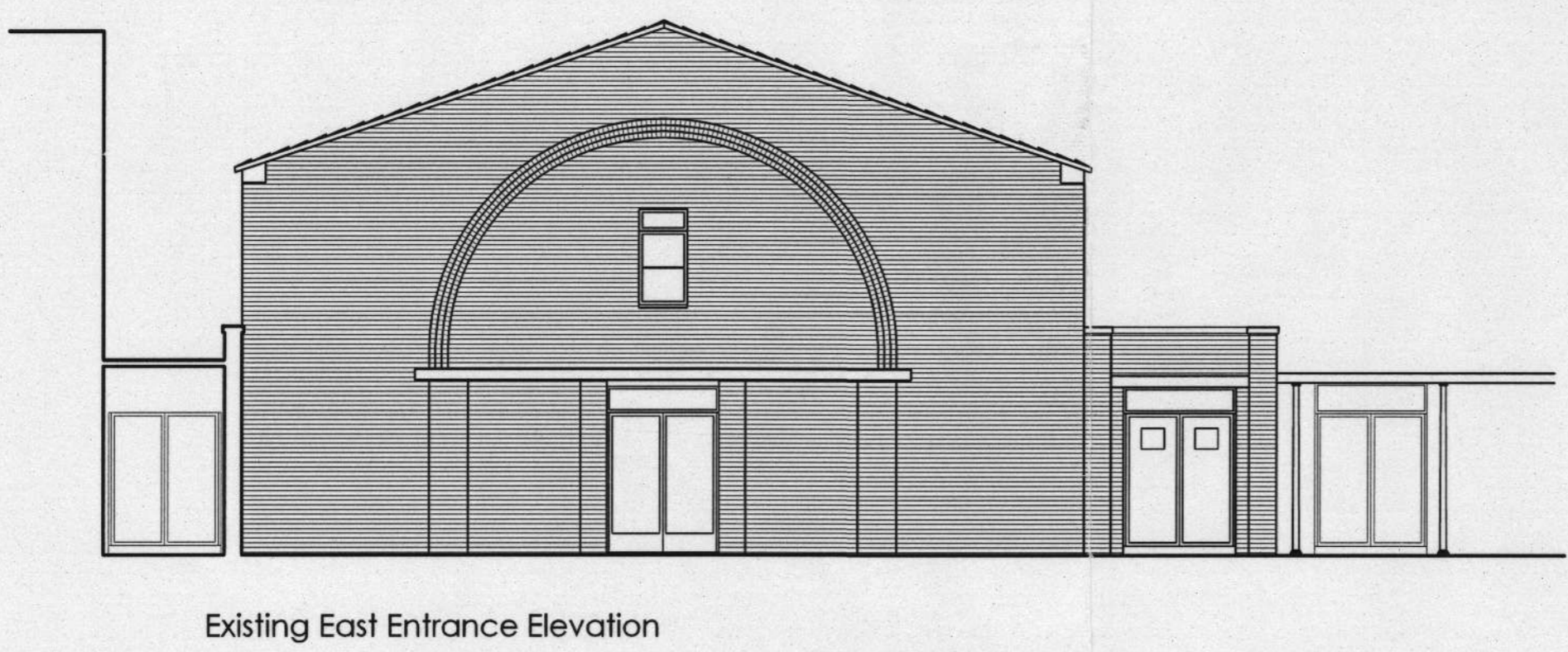
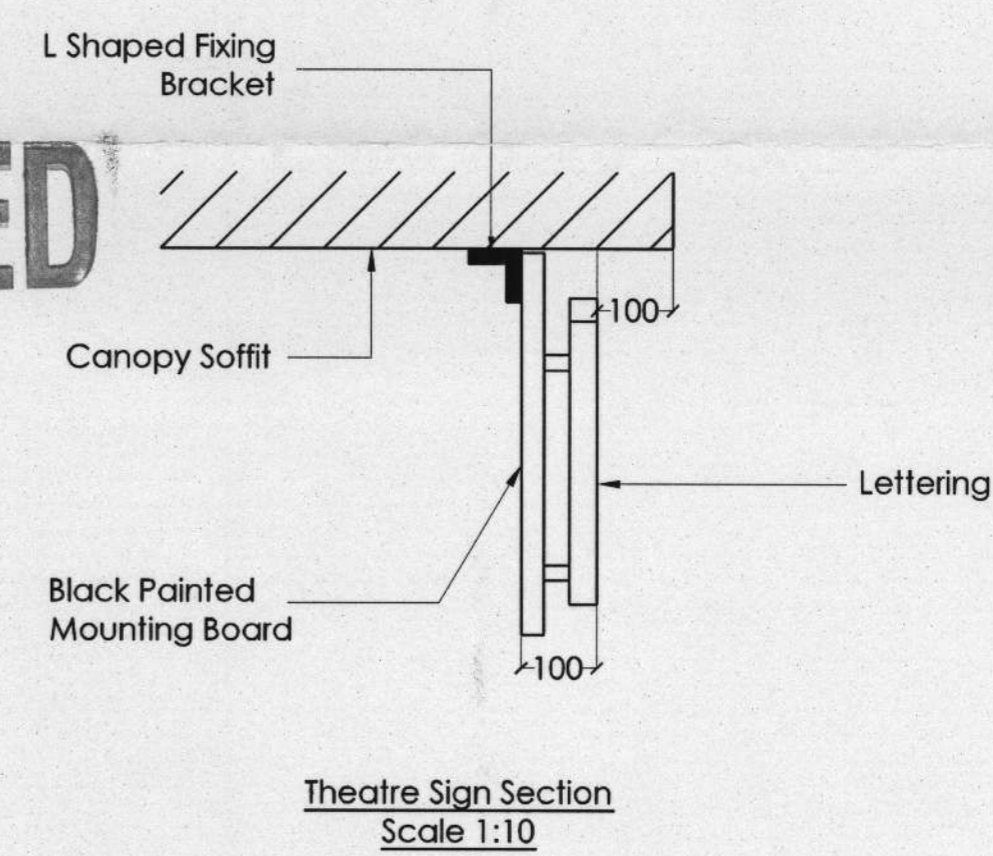
BATCH 10
07/2285/ADV

All dimensions to be verified on site by Main Contractor before the start of any shop drawings or work whatsoever either on their own behalf or that of sub-contractors.
Report any discrepancies to the Contract Administrator at once.
This drawing is to be read with all relevant Architects and Engineer's drawings and other relevant information.
© Ingleton Wood LLP



- ① iGuzzini Supply, Radius Light
- ② iGuzzini Supply, Mini Woody Light with blue colour filter

APPROVED



LEGEND: DO NOT SCALE

RECEIVED
27 JUN 2007
PLANNING
TENDER

Revision	Date	Description	Drw	CHK

Ingleton Wood
 a multi-disciplinary practice of:
 • architects
 • building surveyors
 • quantity surveyors
 • building services consultants

1 Aile Street • London • E1 8DE
 T: 0207 480 4400 • F: 0207 480 9200 • www.ingletonwood.co.uk
 Ingleton Wood LLP trading as Ingleton Wood, Reg no. 03206573. Partners are members of the IAP
 London • Billesley • Colchester • Norwich • Peterborough

Project:
 St Marys College
 Waldegrave Road
 Twickenham
 TW1 4SX

Drawing Title:
 Existing/Proposed
 East Entrance Elevation

Client:
 St Marys College

Drawn	Checked	Date	Scale	Paper Size
LS	CB	21.06.07	1:100	A2

Job No.	Draw No.	Revision	
81478	220	-	<input type="radio"/> Preliminary <input type="radio"/> Planning <input type="radio"/> Tender <input type="radio"/> Contract <input type="radio"/> Working