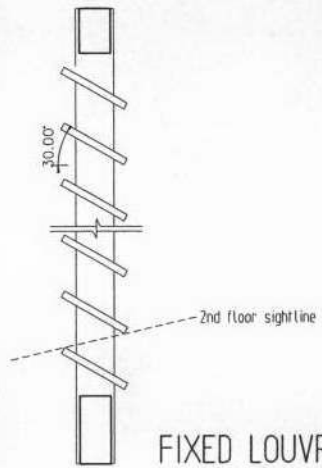
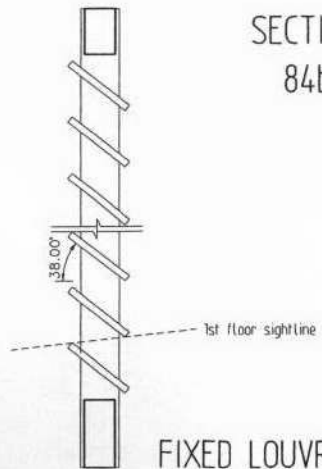


08 / 0225 / FUL

RECEIVED
07 OCT 2008
PLANNING

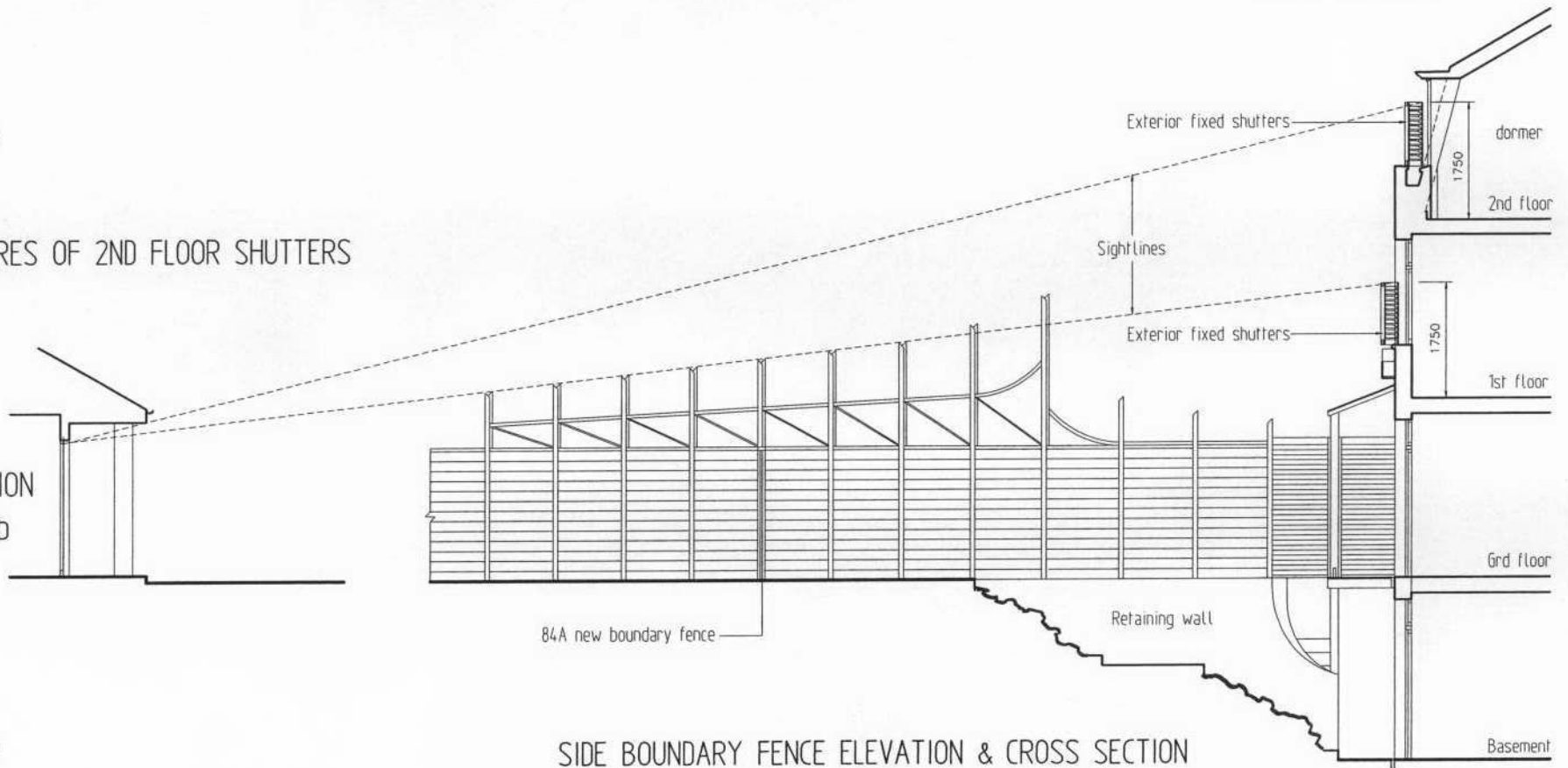


FIXED LOUVRES OF 2ND FLOOR SHUTTERS



FIXED LOUVRES OF 1ST FLOOR SHUTTERS

SECTION
84b



SIDE BOUNDARY FENCE ELEVATION & CROSS SECTION